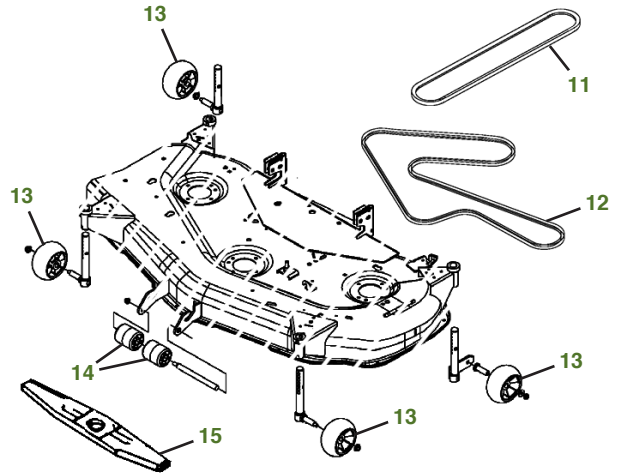
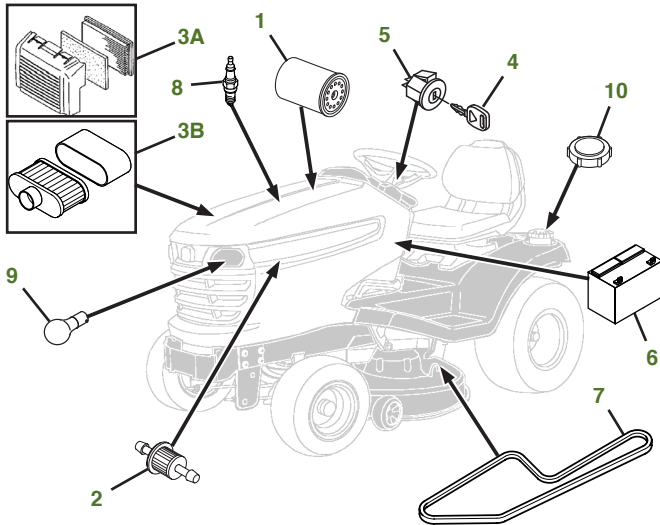


MAINTENANCE REMINDER SHEET

X300 with 48" X Deck (Rotatable Wheels)



Tractor S/N

Deck S/N

| Key | Part No. | Description | Key | Part No. | Description |
|-----|--------------------------|-------------------------------|-----|--------------------------|--------------------------|
| 1 | AM107423 | ENGINE OIL FILTER-ENG FH491V | 7 | M144044 | BELT-TRACTION DRIVE |
| | AM125424 | ENGINE OIL FILTER-ENG FS541V | 8 | TY6081 | SPARK PLUG-ENG FH491V |
| 2 | AM116304 | FUEL FILTER-IN-LINE | | M805853 | SPARK PLUG-ENG FS541V |
| 3A | MIU10999 | AIR FILTER-FOAM-ENG FH491V | 9 | AD2062R | HEADLIGHT BULB |
| | MIU10998 | AIR FILTER-PAPER-ENG FH491V | 10 | AM137724 | FUEL CAP-ENG FH491V |
| 3B | MIU12554 | AIR FILTER-FOAM-ENG FS541V | | AM141406 | FUEL CAP-ENG FS541V |
| | MIU12555 | AIR FILTER-PAPER-ENG FS541V | 11 | M172924 | BELT-MOWER-PRIMARY |
| 4 | CY20680 | KEY | 12 | M154958 | BELT-MOWER-SECONDARY |
| 5 | AM133596 | IGNITION SWITCH (S/N -040000) | 13 | M111489 | GAGE WHEEL |
| | AM133597 | IGNITION SWITCH (S/N 040001-) | 14 | M113955 | FRONT ROLLER |
| 6 | TY25878 | BATTERY (S/N -250000) | 15 | M145476 | BLADE-SIDE DISCHARGE 48" |
| | TY25221 | BATTERY (S/N 250001-) | | M127673 | BLADE-MULCHING 48" |

Parts Needed in First 250 Hours of Operation

| Qty | Part No | Item | Qty or Capacity | Change Interval In Hours |
|-----|---|--|-----------------|--------------------------|
| 6 | TY22029 | 1 qt Engine Oil Turf-Gard™ 10W30 | 1.8 qt | 8/100/200 |
| 3 | AM107423 or AM125424 | Engine Oil Filter | 1 | 8/100/200 |
| 2 | MIU10999 or MIU12554 | Air Filter-Foam | 1 | 100/200 |
| 2 | MIU10998 or MIU12555 | Air Filter-Paper | 1 | 100/200 |
| 2 | AM116304 | Fuel Filter-In-Line | 1 | 100/200 |
| 4 | TY6081 or M805853 | Spark Plug | 2 | 100/200 |
| 2 | TY6341 | JD Multi Purpose SD Polyurea Grease | | As Needed |

"As Needed" Parts

| Qty | Part No | Item |
|-----|--------------------------|---------------------------|
| 1 | AM130907 | Mower Deck Leveling Gauge |
| 1 | TY26518 | Grease Gun |

Home Maintenance Kit

| Unit | Kit Number |
|------|--|
| X300 | LG256 (Eng FH491V) LG265 (Eng FS541V) |

CLICK PART NUMBER TO BUY