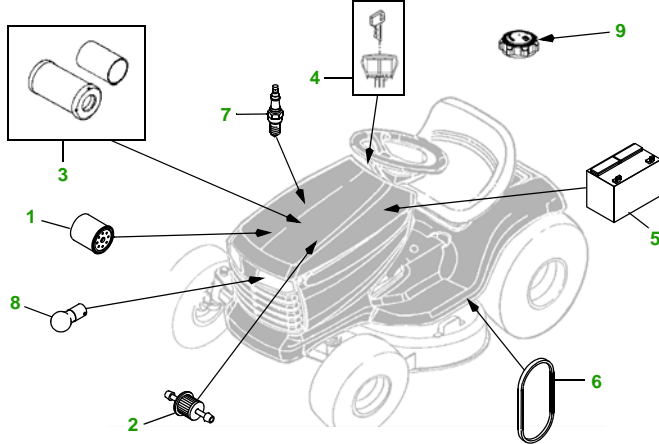


# MAINTENANCE REMINDER SHEET

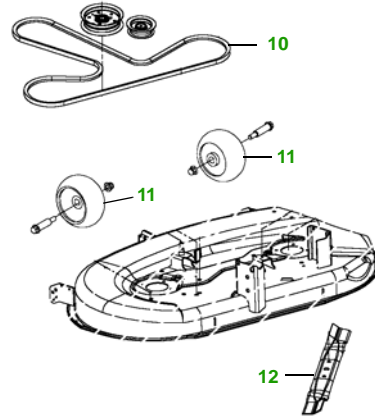
## LA125 with 42" Deck

### Tractor



Tractor S/N

### 42" Deck



Deck S/N

Key	Part No.	Description
1	AM125424	OIL FILTER
	GY20577	OIL FILTER (PACKAGE)
2	AM116304	FUEL FILTER - IN-LINE
	GY20709	FUEL FILTER (PACKAGE)
3	MIU11511	AIR FILTER
	MIU11513	AIR FILTER - PRE CLEAN
4	GY20680	KEY (PACKAGE)
	GY20074	IGNITION SWITCH
5	TY25878	BATTERY
6	GX20006	BELT - TRACTION DRIVE

Key	Part No.	Description
7	M78543	SPARK PLUG
8	AD2062R	HEADLIGHT BULB
9	GX22166	FUEL CAP
10	GX20072	BELT (PACKAGE)
11	GX10168	GAGE WHEEL
12	GX22151	3N1 BLADE - STANDARD
	GY20850	BLADE - (PKG) (PACKAGED QTY - 2 BLADES)
	AM141034	KIT - BAGGING BLADE
	AM141033	KIT - MULCHING BLADE

### Service Recommendations

### "As Needed" Parts

Qty	Part No	Item	Qty or Capacity	Change Interval in Hours
5	GY20577	Oil Filter - Package		50/100/150/200/250
9	TY22029	1 Qt. Engine Oil Turf Gard® 10W30	1.5 qt	8/50/100/150/200/250
1	TY22076	2 1/2 Gal. Engine Oil Turf Gard® 10W30		
5	MIU11511 MIU11513	Air Filters		50/100/150/200/250
5	GY20709	Fuel Filter - Package		50/100/150/200/250
5	M78543	Spark Plug	1	50/100/150/200/250
2	TY6341	JD Multi Purpose SD Polyurea Grease		As Needed

Qty	Part No	Item
1	AM130907	Mower Deck Leveling Gauge
1	TY26183	Grease Gun

#### FOR ON-LINE PARTS ASSISTANCE:

[www.JDParts.Deere.com](http://www.JDParts.Deere.com)



- VIEW [John Deere Parts Catalog](#) to look-up part numbers
- ORDER parts on-line from your [John Deere Dealer](#)
- SEARCH for parts for [YOUR specific model](#)
- SEARCH for parts by [Partial Part Number](#)

[www.Deere.com](http://www.Deere.com)

- PRINT [Valuable Parts Coupons](#) for discounts at your John Deere Dealer
- REVIEW John Deere [Parts Quality Stories](#)
- SEE a complete list of all [Home Maintenance Kits](#)
- CONSIDER [Quick Reference Guides](#) for your commercial equipment

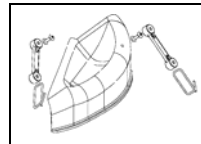
#### FOR ON-LINE SERVICE ASSISTANCE:

[www.Deere.com](http://www.Deere.com)

- VIEW [Technical \(Service\) Publications and Operator's Manuals](#)
- SELECT the desired [Maintenance Plan](#) that is right for you
- UNDERSTAND the [John Deere Warranty](#) on your equipment

#### OTHER SITES:

- SEARCH [Home & Workshop Products](#) off the Residential section at Deere.com.
- GO TO [www.johndeerecredit.com](http://www.johndeerecredit.com) to find your finance solution
- FIND the mower that is right for you through our [JD Mower Selection Tool](#)
- GO TO [www.johndeeregifts.com](http://www.johndeeregifts.com) to stop by John Deere's "General Store"



Mulch Cover Kit..... GY00115 (PACKAGE)

Dealer Name  
Contact Name  
Dealer Phone No



### Home Maintenance Kit

Unit	Kit Number
LA125	LG262

