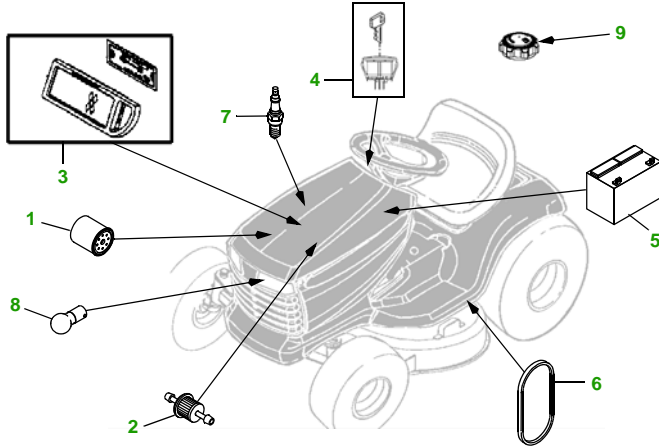


# MAINTENANCE REMINDER SHEET

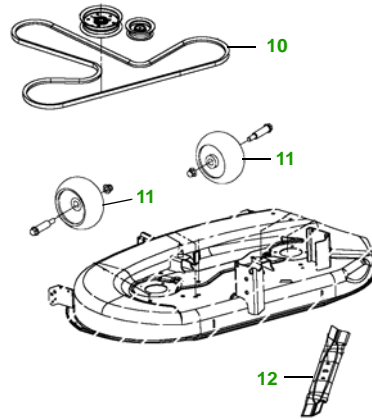
## LA105 with 42" Deck

### Tractor



Tractor S/N

### 42" Deck



Deck S/N

| Key | Part No. | Description              |
|-----|----------|--------------------------|
| 1   | AM125424 | OIL FILTER               |
|     | GY20577  | OIL FILTER (PACKAGE)     |
| 2   | AM116304 | FUEL FILTER - IN-LINE    |
|     | GY20709  | FUEL FILTER (PACKAGE)    |
| 3   | GY20573  | AIR FILTER KIT (PACKAGE) |
| 4   | GY20680  | KEY (PACKAGE)            |
|     | GY20074  | IGNITION SWITCH          |
| 5   | TY25878  | BATTERY                  |
| 6   | GX22036  | BELT - TRACTION DRIVE    |
| 7   | M78543   | SPARK PLUG               |

| Key | Part No. | Description                             |
|-----|----------|---|
| 8   | AD2062R  | HEADLIGHT BULB                          |
| 9   | GX22166  | FUEL CAP                                |
| 10  | GX20072  | BELT (PACKAGE)                          |
| 11  | GX10168  | GAGE WHEEL                              |
| 12  | GX22151  | 3N1 BLADE - STANDARD                    |
|     | GY20850  | BLADE - (PKG) (PACKAGED QTY - 2 BLADES) |
|     | AM141034 | KIT - BAGGING BLADE                     |
|     | AM141033 | KIT - MULCHING BLADE                    |

### Service Recommendations

| Qty | Part No | Item                                    | Qty or Capacity | Change Interval in Hours |
|-----|---------|---|-----------------|--------------------------|
| 5   | GY20577 | Oil Filter - Package                    |                 | 50/100/150/200/250       |
| 1   | TY22076 | 2 1/2 Gal. Engine Oil Turf Gard @ 10W30 | 1.5 qt          | 8/50/100/150/200/250     |
| 5   | GY20573 | Air Filter - Package                    |                 | 50/100/150/200/250       |
| 5   | GY20709 | Fuel Filter - Package                   |                 | 50/100/150/200/250       |
| 5   | M78543  | Spark Plug                              | 1               | 50/100/150/200/250       |
| 2   | TY6341  | JD Multi Purpose SD Polyurea Grease     |                 | As Needed                |

### "As Needed" Parts

| Qty | Part No  | Item                      |
|-----|----------|---------------------------|
| 1   | AM130907 | Mower Deck Leveling Gauge |
| 1   | TY26183  | Grease Gun                |

#### FOR ON-LINE PARTS ASSISTANCE:

[www.JDParts.Deere.com](http://www.JDParts.Deere.com)



- VIEW [John Deere Parts Catalog](#) to look-up part numbers
- ORDER parts on-line from your [John Deere Dealer](#)
- SEARCH for parts for [YOUR specific model](#)
- SEARCH for parts by [Partial Part Number](#)

[www.Deere.com](http://www.Deere.com)

- PRINT [Valuable Parts Coupons](#) for discounts at your John Deere Dealer
- REVIEW John Deere [Parts Quality Stories](#)
- SEE a complete list of all [Home Maintenance Kits](#)
- CONSIDER [Quick Reference Guides](#) for your commercial equipment

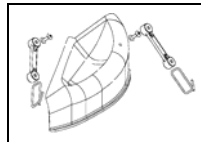
#### FOR ON-LINE SERVICE ASSISTANCE:

[www.Deere.com](http://www.Deere.com)

- VIEW [Technical \(Service\) Publications and Operator's Manuals](#)
- SELECT the desired [Maintenance Plan](#) that is right for you
- UNDERSTAND the [John Deere Warranty](#) on your equipment

#### OTHER SITES:

- SEARCH [Home & Workshop Products](#) off the Residential section at Deere.com.
- GO TO [www.johndeerecredit.com](http://www.johndeerecredit.com) to find your finance solution
- FIND the mower that is right for you through our [JD Mower Selection Tool](#)
- GO TO [www.johndeeregifts.com](http://www.johndeeregifts.com) to stop by John Deere's "General Store"



Mulch Cover Kit.....GY00115 (PACKAGE)

Dealer Name  
Contact Name  
Dealer Phone No



### Home Maintenance Kit

| Unit  | Kit Number |
|-------|------------|
| LA105 | LG253      |

